

BQD-DIP

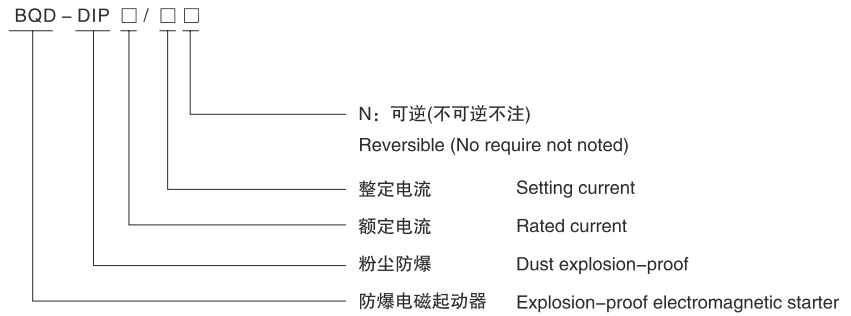
系列粉尘防爆磁力起动器(DIP)



适用范围 Application

- 适用于20区、21区、22区危险场所。
- 适用于可燃性粉尘环境。
- Can be used in hazardous areas: Zone 20, Zone 21 and Zone 22.
- Can be used in explosive or flammable dust atmosphere.

适用范围 Application



主要技术参数 Main technical parameters

- | | |
|----------------------|--|
| ■ 执行标准: GB 12476.1 | ■ Implementing the standard : GB 12476.1 |
| ■ 防爆标志: DIPA20TA, T6 | ■ Explosion-proof mark: DIPA20TA, T6 |
| ■ 额定电压: AC 380V | ■ Rated voltage: AC380V |
| ■ 防护等级: IP65 | ■ Protection grade: Ip65 |
| ■ 防腐等级: WF1 | ■ Corrosion-proof grade: Wf1 |

产品特点 Features

- 壳体采用ZL102铝合金压铸成型, 表面高压静电喷塑;
- 内装交流接触器、热继电器、自复位万能开关或按钮等;
- 可控制50Hz、380V三相异步电动机的直接起动、停止, 并具有过载、缺相、失压保护功能;
- 钢管或电缆布线。
- The housing is die cast in aluminum alloy, with high voltage static plastic-sprayed surface.
- Inside is installed AC contactor, thermal relay, self-settable universal conversion switch.

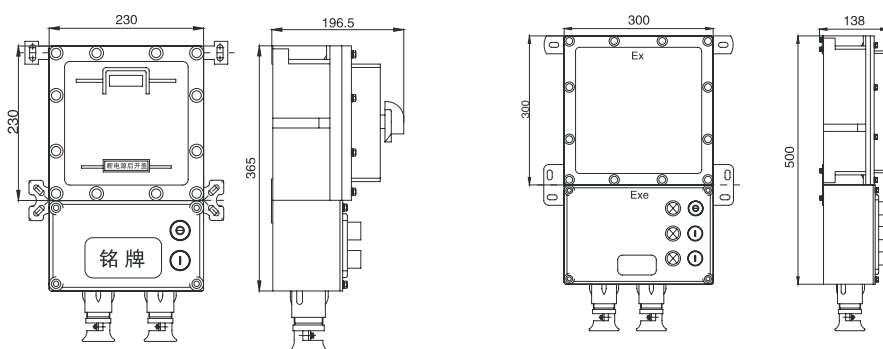
BQD-DIP

Type dust explosion-proof electromagnetic starter (DIP)

- Able to directly control AC 50Hz, 380V asynchronous motor with the protection of overload, phase-failure and voltage-absent.
- Conduit wiring or cable wiring.

型号 Type	额定电流(A) Rated current	热继电器整定电流调节范围(A)Setting current of thermal relay	控制电动机最大功率(kW)Max power of controlled motor	进线口螺纹(G") Inlet's thread	电缆外径(φ,mm)Cable's outside diameter
BQD-DIP9/□	9	7~10	4及以下	1	11~18
BQD-DIP12/□	12	9~13	5.5		
BQD-DIP18/□	18	12~18	7.5		
BQD-DIP25/□	25	17~25	11		
BQD-DIP40/□	40	28~45	18.5		
BQD-DIP63/□	63	40~63	30	11 / 2	14~25
BQD-DIP100/□	100	75~120	40		
BQD-DIP9/□N	9	7~10	4及以下	1	11~18
BQD-DIP12/□N	12	9~13	5.5		
BQD-DIP18/□N	18	12~18	7.5		
BQD-DIP25/□N	25	17~25	11		
BQD-DIP40/□N	40	28~45	18.5		

外形及安装举例 Outline and mounting example



BQD-DIP20(40)

BQD-DIP40N
BQD-DIP60N

www.peopleex.cn

BQD-DIP

系列粉尘防爆磁力起动器(DIP)

