

BHD-DIP

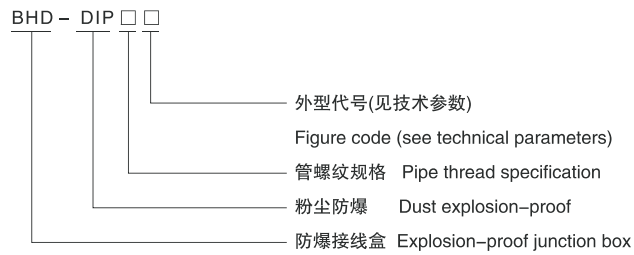
系列粉尘防爆接线盒(DIP)



适用范围 Application

- 适用于20区、21区、22区危险场所。
- 适用于可燃性粉尘环境。
- Can be used in hazardous areas: Zone 20、Zone 21 and Zone 22.
- Can be used in explosive or flammable dust atmosphere.

型号含义 Model implication



主要技术参数 Main technical parameters

- 执行标准: GB 12476.1
- 防爆标志: DIPA20TA, T4
- 额定电压: AC 380V/220V
- 额定电流: 20A
- 防护等级: IP65
- 防腐等级: WF1
- 管螺纹规格: G1/2"、G3/4"、G1"、G1 1/4"、G1 1/2"、G2"
- Implementing the standard : GB 12476.1
- Explosion-proof mark: DIPA20TA, T4
- Rated voltage: AC 380V/220V
- Rated current: 20A
- Protection grade: IP65
- Corrosion-proof grade: Wf1
- Pipe thread specification: G1/2"、G3/4"、G1"、G1 1/4"、G1 1/2"、G2"

BHD-DIP

Type dust explosion-proof junction box (DIP)

产品特点 Features

- 外壳采用ZL102铝合金压铸成型，表面高压静电喷塑；
 - 进出线口有多种方式及规格；
 - 进出线口螺纹可特制，可制成公制螺纹，NPT螺纹等形式；
 - 钢管或电缆布线。
- The housing is die cast in aluminum alloy, with high voltage static plastic-sprayed surface.
 - Inlet or outlet has many kinds of modes and specifications.
 - Thread specification can be specially designed, and can designed metric thread and thread NPT etc.
 - Conduit wiring or cable wiring.

接线盒外形、代号及名称一览表

Junction box code, outline and descriptions the following table

代号 Code	外形 Outline	名称 Description
A		一通平1 entry in horizon
B		直二通平2 direct entries in horizon
C		三通平3 entries in horizon
D		四通平4 entries in horizon
E		直角二通平2 perpendicular entries, in horizon
F		一通吊1 entry in horizon
G		直二通吊2 direct entries in horizon
H		三通吊3 entries in horizon
I		四通吊4 entries in horizon
J		直角二通吊2 perpendicular entries, in horizon

注：1、“○”表示平盖，“◎”表示吊盖；

2、在正常情况下，吊盖与通头同口径，如特殊要求可特制。

3、通头一般为圆柱管螺纹；

标注举例：BHD-DIP 1/2G含义：BHD-DIP系列粉尘防爆接线盒，管螺纹为G1/2"，直二通吊。

Note: 1. "○" horizontal cover, "◎" hung cover.

2. Generally the diameter of entry is equal to that of hung cover hole. Special requirement can be available.

3. The entry is often made as pipe thread.

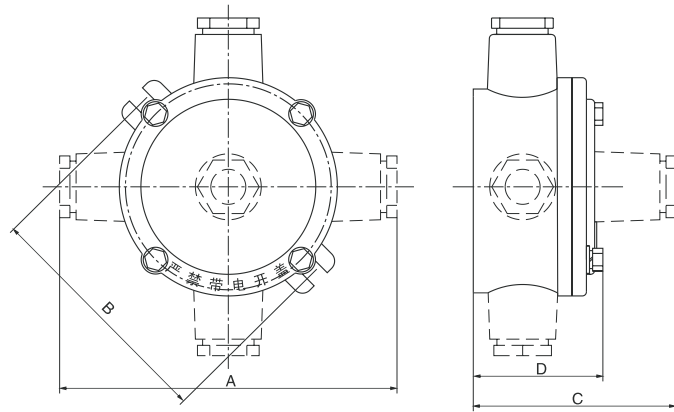
For Example:

1. BHD-DIP1/2G means: BHD explosion-proof junction box, pipe thread G1/2", 2 direct entries with horizontal cover.

BHD-DIP

系列粉尘防爆接线盒(DIP)

外形及安装举例 Outline and mounting example



电缆外径(φ, mm) Cable's outer diameter	管螺纹(G1") Pipe thread	A	B	C	D
8~10	1 / 2"	166	108	104	68
8~14	3 / 4"	168	108	105	68
12~17	1"	170	108	-	68
13~23	1 1 / 4"	200	122	-	88
17~26	1 1 / 2"	210	122	-	88