

BAD54-DIP

系列粉尘防爆灯(DIP)



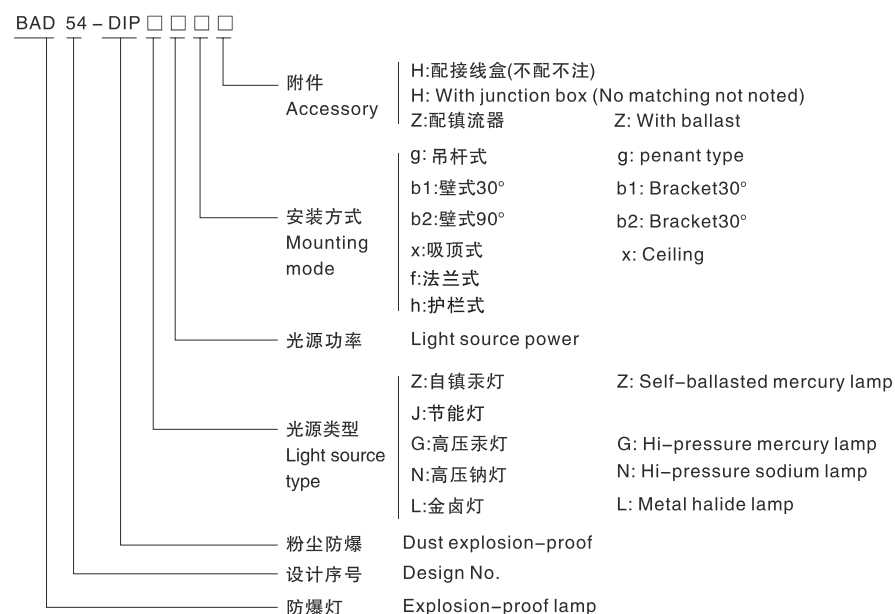
适用范围 Application

- 适用于20区、21区、22区危险场所。
- 适用于爆炸性或可燃性粉尘环境。
- Can be used in hazardous areas: Zone 20、Zone 21 and Zone 22.
- Can be used in explosive or flammable dust atmosphere.

产品特点 Features

- 壳体采用ZL102铝合金压铸成型，表面高压静电喷塑；
- 灯体采用合页式结构，活节螺栓紧固，能快速开启，便于安装与维护；
- 钢化玻璃灯罩，不锈钢外露紧固件；
- 钢管布线。
- The housing is die cast in aluminum alloy, with high voltage static plastic-sprayed surface.
- The lamp body adopts hinge type structure, with eye bolt for fastening, can be opened quickly, and easy to install or maintain;
- Toughened glass lampshades, exposed stainless steel fasteners;
- Conduit wiring .

型号含义 Model implication



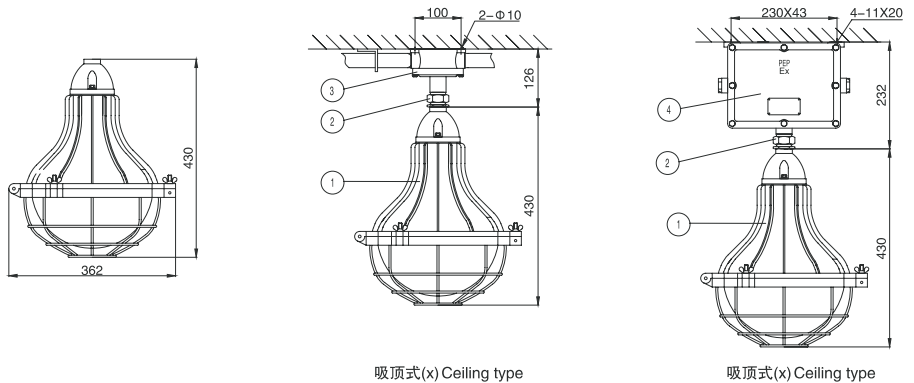
BAD54-DIP

Type dust explosion-proof lamp (DIP)

主要技术参数 Main technical parameters

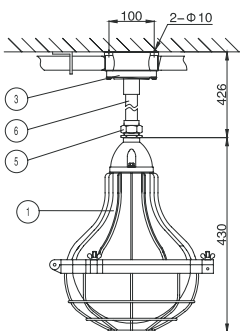
- | | |
|--|---|
| <ul style="list-style-type: none"> ■ 执行标准：GB 12476.1 ■ 防爆标志：DIPA20TA, T2 ■ 额定电压：AC 220V/50Hz ■ 防护等级：IP65 ■ 防腐等级：WF1 | <ul style="list-style-type: none"> ■ Implementing the standard : GB 12476.1 ■ Explosion-proof mark: DIPA20TA, T1 ■ Rated voltage: AC 220V/50Hz ■ Protection grade: IP65 ■ Explosion-proof class: WF1 |
|--|---|
-
- | | |
|--|--|
| <ul style="list-style-type: none"> ■ 灯座规格：E40 ■ 引入口规格：G3/4" ■ 电缆规格：Φ9mm ~ Φ14mm ■ 配用光源及功率：(可配用光源长度 ≤ 250mm) <li style="padding-left: 20px;">自镇汞灯：250W <li style="padding-left: 20px;">高压汞灯：175W、250W <li style="padding-left: 20px;">金卤灯：175W、250W 高压钠灯：150W | <ul style="list-style-type: none"> ■ Lamp specification: E40 ■ Inlet spec: G3/4" ■ Cable spec: Φ9 mm ~ Φ14mm ■ Supplied with light source and power: (Length of supplied with light source ≤ 250mm) Self-ballasted mercury lamp: 125W; Incandescent lamp: 200W; <li style="padding-left: 20px;">Hi-pressure mercury vapor lamp: 125W; Metal halide lamp: 100W <li style="padding-left: 20px;">Hi-pressure sodium vapor lamp: 110W; |
|--|--|

外形及安装举例 Outline and mounting example

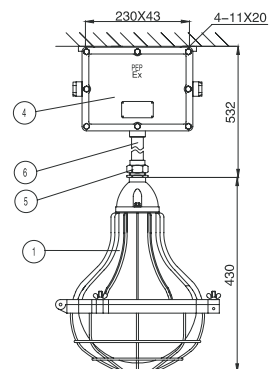


BAD54-DIP

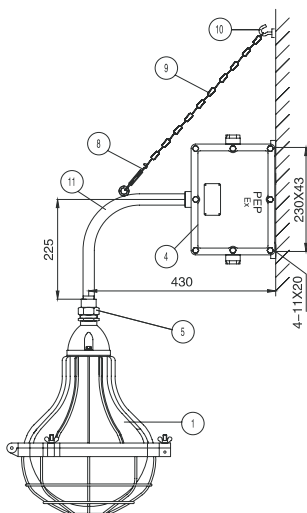
系列粉尘防爆灯(DIP)



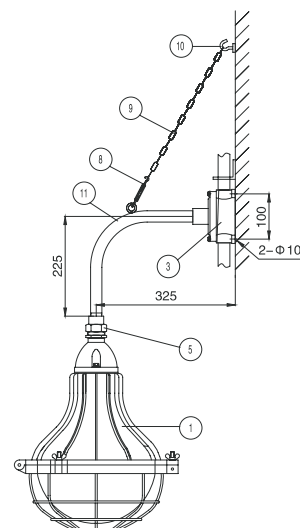
吊杆式(g) Pendant type



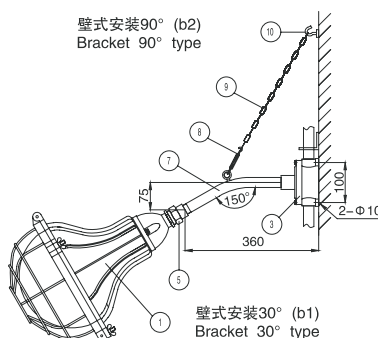
吊杆式(g) Pendant type



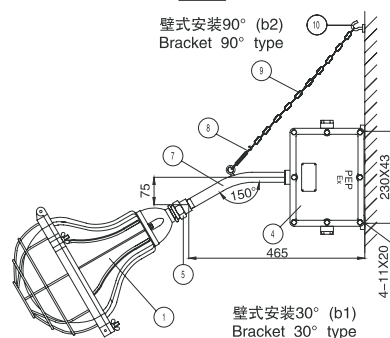
壁式安装90° (b2)
Bracket 90° type



壁式安装90° (b2)
Bracket 90° type



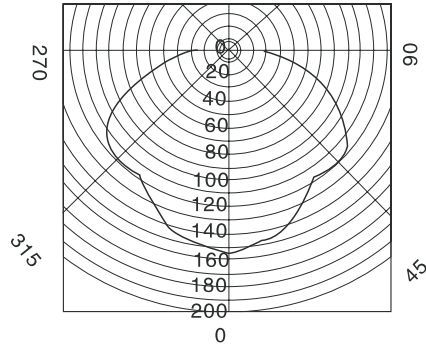
壁式安装30° (b1)
Bracket 30° type



壁式安装30° (b1)
Bracket 30° type

BAD54-DIP

Type dust explosion-proof lamp (DIP)



配光曲线cd/10001m

序号No.	名称Name	备注 Remark
1	粉尘防爆灯具 Fine dust explosion-proof light fixture	
2	防爆活接头BHJ-G3/4"-C BHJ-G3/4"-C	用户另配 Configured by user otherwise
3	粉尘防爆接线盒BHD-DIP-G3/4"-G Fine dust explosion-proof junction box BHD-DIP-G3/4"-G	用户另配 Configured by user otherwise
4	粉尘防爆镇流器 BAZ-DIP Fine dust explosion-proof ballast	用户另配 Configured by user otherwise
5	防爆活接头BHJ-G3/4"-B BHJ-G3/4"-B	用户另配 Configured by user otherwise
6	直管G3/4" × 300mm Straight tube G3 / 4 " × 300mm	
7	30° 弯管G3/4" × 300mm 30° elbow G3 / 4 " × 300mm	
8	CC型索具螺旋扣M6 CC rigging turnbuckle M6	
9	链条450mm Chain 450mm	
10	膨胀螺栓M6 Expansion bolt M6	
11	90° 弯管G3/4 × 500mm Normal bend G3 / 4 * 500mm	