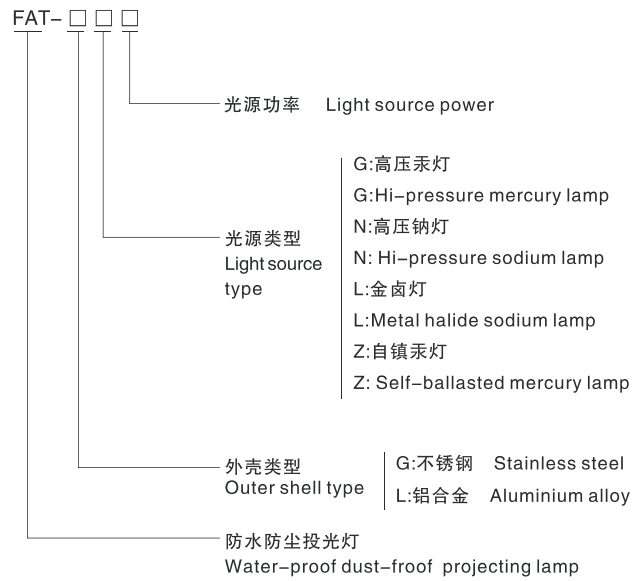


FAT

系列防水防尘投光灯



型号含义 Model implication



使用环境 Environmenr conditions

- 环境温度-25° C至+55° C;
 - 安装高度不超过海拔2000m;
 - 适用于强酸、强碱、盐、氨、氯离子腐蚀多水、多尘、潮湿等环境;
 - 广泛应用于石油、化工、食品、制药、军工等工厂企业。主要作为室外远距离投光照明;
 - 根据不同的光源，必须选择匹配的镇流器，镇流器常规配置为铝合金外壳，如要求不锈钢，请注明。
- Ambient temperature is-25° C to +55° C.
 - The height of installment can't over 2000 meters above sea level.
 - they can withstand the corrosion of strong acid, strong alkali, and the environment of more water, more dust and humidity.
 - they are widely used in the lines of petroleum, chemistry, food medicine, depot and so on, they are mainly used in illumination of the factories and the workshops
 - According to different illumination, they must choose electric ballast accordingly, the user's power voltage fluctuant range must accord to the national standard.

FAT

Type water-proof dust-proof projecting lamp

产品特点 Features

- 灯具壳体采用ZL102铝合金压铸而成，外表面喷塑；
 - 本产品抗强酸、强碱、盐、氨、氯离子腐蚀，防水、防尘、防腐等级为WF1，防护等级为IP65；
 - 反光置为桔纹射罩，使光线更柔和；
 - 内装灯座采用铜质直动柱式触头，接触可靠，寿命长。
 - 所有外露紧固件均采用不锈钢，密封垫采用硅橡胶、耐油、耐酸、耐碱、耐高温；
- The shell of diecasted of alloy aluminium with plastic-sprayed surface
 - The products can withstand the corrosion of strong acid, strong alkali, salt, ammonia, chlorine, water-proof, dust-proof, corrosion-proof grade is WF1, protection grade is IP65.
 - Adopting reflection shade like orange surface so as to make light soft.
 - Inside is mounted lamp socket which is made of pole the contactor of copper material, with reliably contact and long-time life.
 - All the leakage fixers adopt stainless steel, the sealers adopt silicon rubber, which can withstand oil, acid, alkali and high temperature.

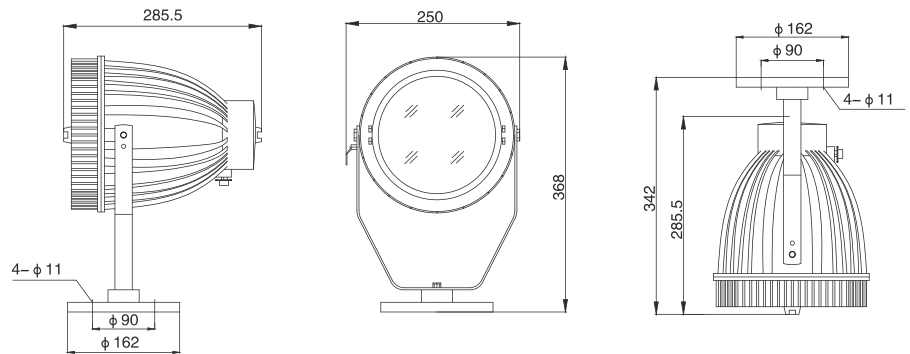
技术参数 Technical parameters

光源类型 Light source type	额定电压(V) Rated voltage	额定功率(W) Rated power	防护等级 Protection grade	防腐等级 Corrosion-proof grade	灯座规格 Lamp spec	电缆规格 (Φ,mm) Cable's spec	进线口规格 (G") Inlet's spec.
高压汞灯 Hi-pressure mercury lamp	AC220V	250, 400	IP65	WF1	E40	9~14	2~3/4
金卤灯 Metal halide lamp		175, 250, 400					
高压钠灯 Hi-pressure sodium lamp		150, 250, 400					
自镇汞灯 Self-ballasted mercury lamp		250, 450					

FAT

系列防水防尘投光灯

外形及安装举例 Outline and mounting example



订货须知 Ordering references

订货时请注明产品的完整型号；

本产品出厂时不配光源，由用户自备。

Provide complete ordering products type.

Without providing the illuminant of lamp appliance.