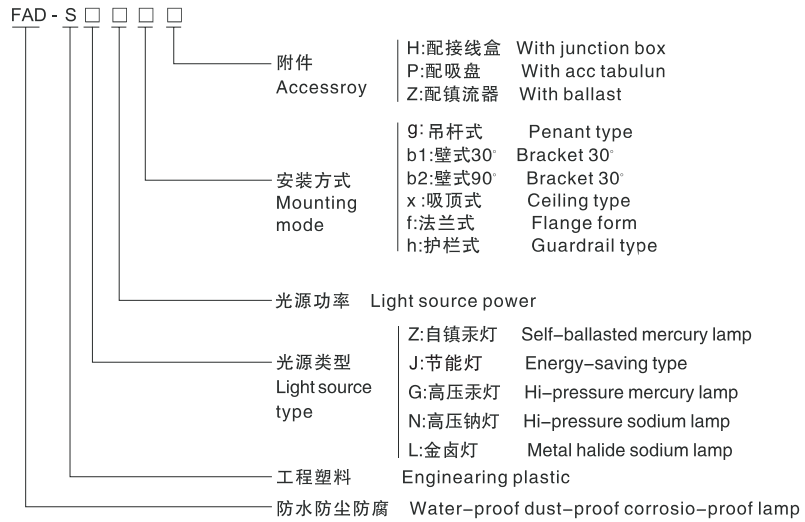


FAD-S

系列防水防尘防腐灯



型号含义 Model implication



使用环境 Environmenr conditions

- 环境温度-25° C至+55° C;
- 安装高度不超过海拔2000m;
- 适用于强酸、强碱、盐、氨、氯离子腐蚀等环境;
- 广泛应用于石油、化工工业企业。主要作为厂房照明，尤其是有腐蚀性气体的车间照明;
- 根据不同的光源，必须选择匹配的镇流器，用户电源电压波动范围必须满足国家标准要求。
- Ambient temperature is-25° to +55°
- The height of installment can' t over 2000 meters above sea level.
- The can withstand the corrosion of strong acid, strong alkali, and the environment of, more waer, more dust and humidity.
- The are widely used in the lines of petroleum, chemistry, and so on they are maily used in the illumination of the factories ,especially the illumination to of the workshops with strong choosion.
- According to different illumination, they must choose elecricls ballast accordingly, the user' s power voltage fluctant range must accord to the national standard.

产品特点 Features

- 灯具壳体采用增强玻璃纤维不饱和聚酯树脂工程材料压制而成，结构轻巧，外形美观;
- 壳体材料可按用户要求增加阻燃和抗静电功能;
- 本产品抗强酸、强碱、盐、氨、氯离子腐蚀，防腐等级为WF2，防护等级为IP65;
- 所有外露紧固件均采用不锈钢，密封件采用硅橡胶，耐油、耐酸、耐碱、耐高温;
- 灯罩有钢化玻璃和聚碳酸酯成形两种规格，常规配置为钢化玻璃，用户如要求聚碳酸酯罩请在订货时注明;
- 安装方式多样，灯罩能快速开启，便于维修。

FAD-S

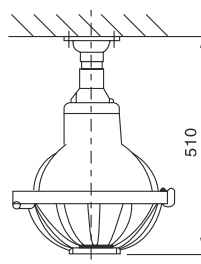
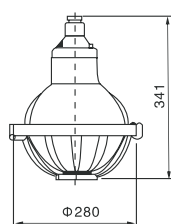
Type water-proof dust-proof corrosion-proof full lamp

- Light appliance's shell is diecasted by reinforced glass-fiber and unsaturated polyester resin, with light structure and beautiful appearance.
- Housing material can accord to the user's demand to add the function of fire proof, anti-static.
- The products can withstand the corrosion of strong acid, strong alkali, salt ammonia, chlorine, and have the function of water-proof, dust-proof. Anti-corrosion grade is WF2, the protection grade reaches Ip65.
- All the leakage fixers adopt stainless steel, the sealers adopt silicon rubber, which can withstand oil, acid alkalis, high temperature.
- The lampshade has two forms of steel glass and polyester-resin, please note when ordering.
- Installation methods are versatile and the lamp-cover can start quickly, which is convenient for maintenance.

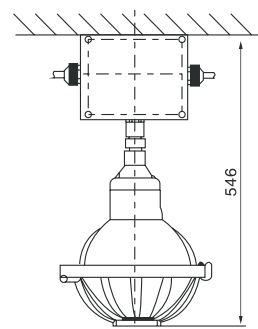
技术参数 Technical parameters

| 光源类型 Light source type | 额定电压(V) Rated voltage | 额定功率(W) Rated power | 防护等级 Protection grade | 防腐等级 Corrosion-proof grade | 灯座规格 Lamp spec | 电缆规格 (Φ, mm) Cable's spec | 进线口规格(G') Inlet's spec. |
|-------------------------------------|--------------------------|------------------------|--------------------------|-------------------------------|-------------------|---------------------------------|----------------------------|
| 高压汞灯 Hi-pressure mercury lamp | AC220V | ≤125 | IP65 | WF2 | E27 | 9~14 | 3/4 |
| 金卤灯 Metal halide lamp | | ≤100 | | | | | |
| 高压钠灯 Hi-pressure sodium lamp | | ≤110 | | | | | |
| 自镇汞灯 Self-ballasted mercury lamp | | ≤125 | | | | | |
| 节能灯 Energy-saving lamp | | ≤45 | | | | | |

外形及安装举例 Outline and mounting example



x:吸顶式 Ceiling type

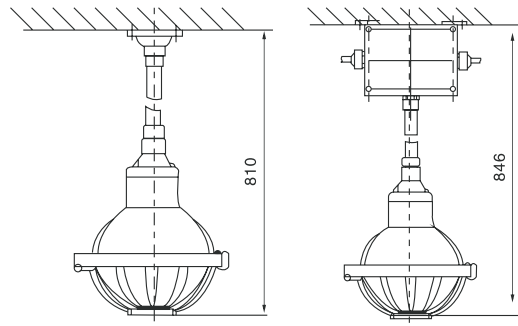


x:吸顶式 Ceiling type

PEOPLE ELECTRIC

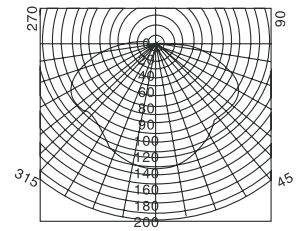
FAD-S

系列防水防尘防腐灯

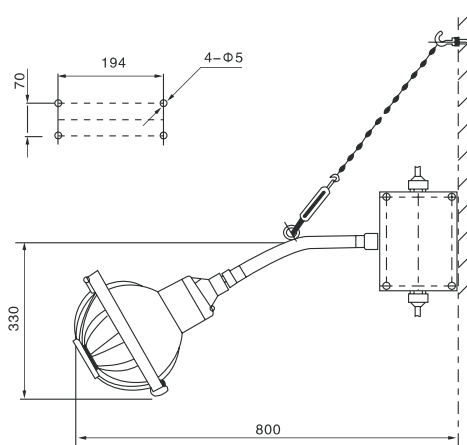


g:吊杆式 Pendant type

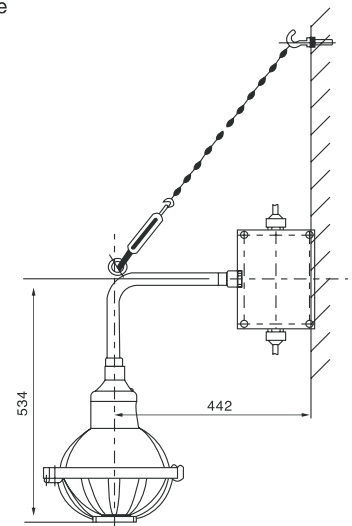
g:吊杆式 Pendant type



配光曲线 Cd/1000lm



b1:壁式安装 Bracket 30°



b2:壁式安装 Bracket 90°

订货须知 Ordering references

订货时请注明产品的完整型号;

Provide complete ordering products type.

本产品出厂时不配光源, 由用户自备。

Without providing the illuminant of lamp appliance