

## BZA51 (LA5821)

### 系列防爆防腐控制按钮(ⅡB)



## 适用范围 Application

- 适用于1区、2区危险场所。
- 适用于ⅡA、ⅡB类，温度组别为T1~T6的爆炸性气体环境。
- Can be used in hazardous areas: Zone 1 and Zone 2.
- Can be used in explosive gas atmospheres of Category IIA and 、ⅡB where the temperature classification is T1 ~ T6.

## 型号含义 Model implication



## 技术参数 Technical parameters

- |                                               |                                                                      |
|-----------------------------------------------|----------------------------------------------------------------------|
| ■ 执行标准：GB 3836.1、GB 3836.2、GB 3836.3、IEC60079 | ■ Implementing the standard : GB 3836.1、GB 3836.2、GB 3836.3、IEC60079 |
| ■ 额定电压：AC 380/220V                            | ■ Rated voltage: AC380/220V                                          |
| ■ 额定电流：5A                                     | ■ Rated current: 5A                                                  |
| ■ 防爆标志：Exed Ⅱ BT6                             | ■ Explosion-proof mark: Exed Ⅱ BT6                                   |
| ■ 防护等级：IP54                                   | ■ Protection grade: IP54                                             |
| ■ 防腐等级：WF2                                    | ■ Corrosion-proof grade: WF2                                         |
| ■ 进线口螺纹：G3/4"                                 | ■ Inlet thread: G3/4"                                                |
| ■ 电缆外径：φ 9mm~ φ 14mm                          | ■ Cable's outer diameter: φ 9mm~ φ 14mm                              |

## 产品特点 Features

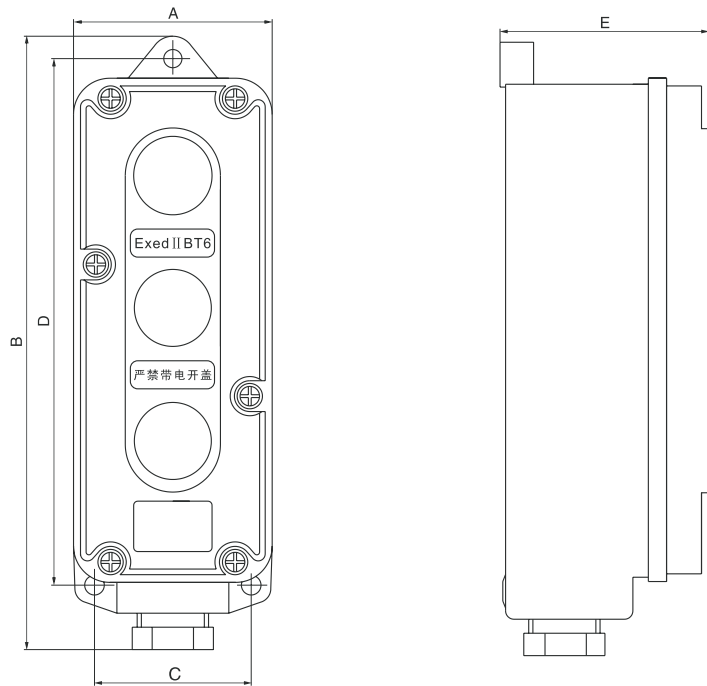
- 外壳采用阻燃ABS注塑而成，具有外形美观，耐腐蚀，耐冲击等优良性能；
- 产品为增安型结构，增安型外壳内装隔爆型防爆元件；
- 采用曲路密封结构，具有较好的防水，防尘能力；
- 隔爆型控制按钮具有结构紧凑，可靠性好，体积小，通断能力强，寿命长等优点。
- Adopts flame-proof ABS plastic formation, it has performance of water-proof, dust-proof, corrosion-proof, impulse-proof.

## BZA51 (LA5821)

Type explosion-proof control button ( II B)

- With safety-increased shell, inside is adopted flame-proof switch.
- Adopt curve-sealed structure, with the strong performances of waterproof and dust proof.
- Explosion suppression type control buttons have advantages of compact structure, favorable reliability, small volume, strong making and breaking capability, long service life and so on.

### 外形及安装举例 Outline and mounting example



型号 Type	A	B	C	D	E
BZA51-1	71	130	56	97	80
BZA51-2	71	173	56	142	75
BZA51-3	71	219	56	188	75